

OG5500™



USER MANUAL | OG5500

Hello.

Congratulations on purchasing your new Ogawa OG5500.

At Ogawa we understand every body is different and have carefully designed on our massage chair with that in mind. But enough about us, this is about you. Learning how to use your new chair is simple (we designed it that way).

So let's get started.

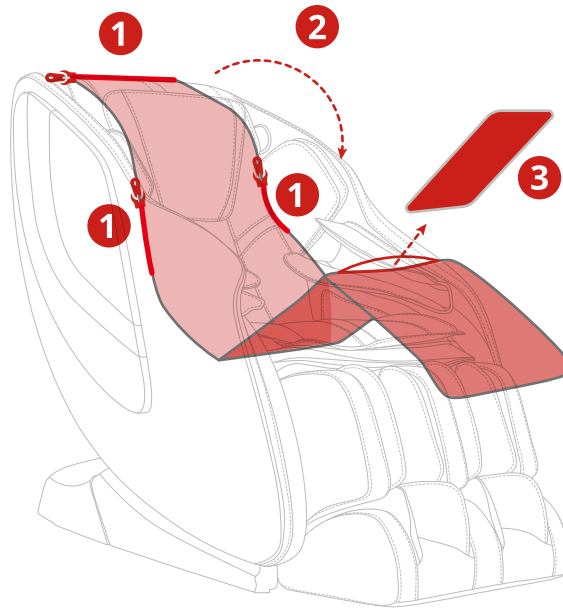
We Can Help.

Our team will respond quickly to help you solve any issues

1.877.977.0656

Need a deeper massage?
Remove Softening Pad

- 1** Unzip
- 2** Fold Down
- 3** Remove Pad



Scan QR Code for Support

Open camera app & scan for instant support



For replacement parts and tech support, please call ^{our} service and warranty hotline, or visit www.cozziausa.com

TABLE OF CONTENTS



INTRO

Dimensions	3
Contents	4



CHAIR

Move & Clearance	5
Components	6
Massage Points	7
Specifications	8
How To Use	9-12
Pre-Programed Description	13-14

Massage Descriptions

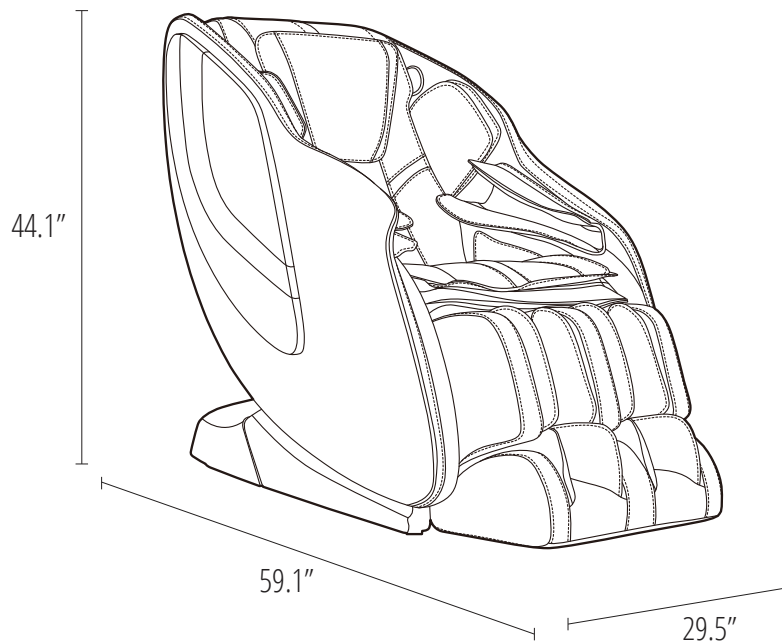


CARE

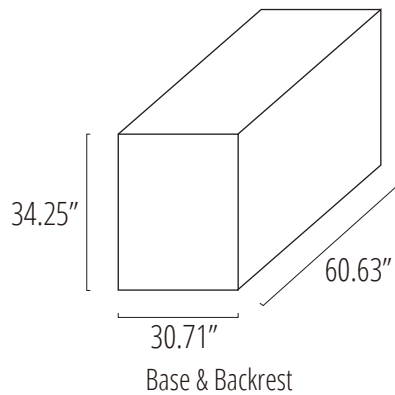
Safety	15-17
Grounding Instruction	17
Troubleshooting	18
Care and Storage	18
Warranty	19-20

DIMENSIONS

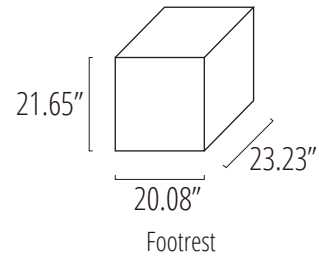
First, let's get your chair inside.



Box 1



Box 2



CONTENTS

Everything you need for a relaxing experience.



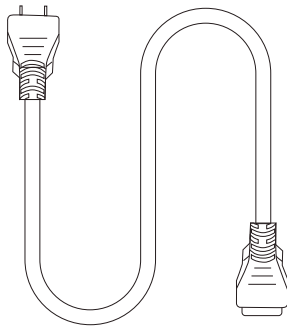
User Manual



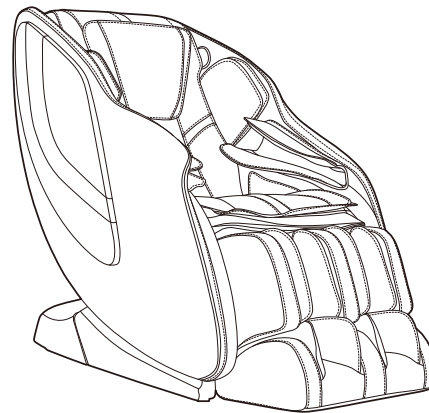
Installation Manual



Warranty Postcard

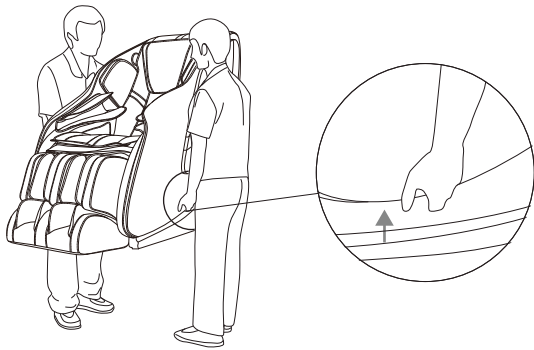


Power Cord

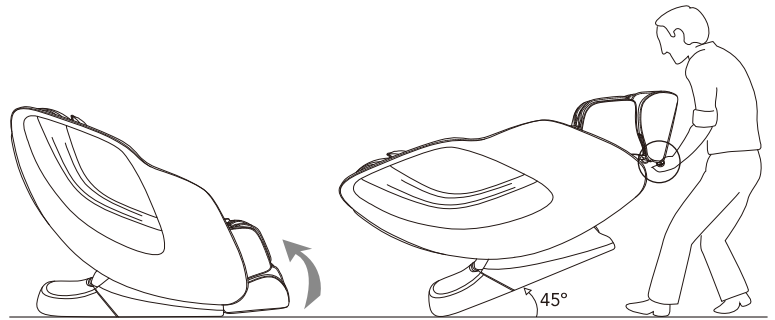


OG5500 Massage Chair

HANDLING INSTRUCTIONS

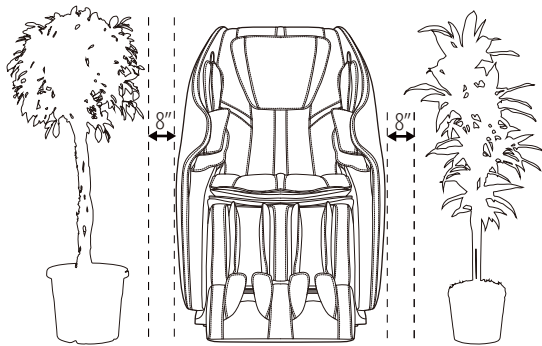


Lift and hold the bottom of the chair

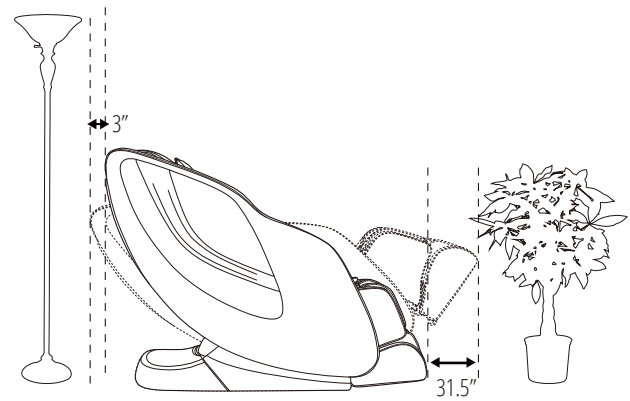


One person lift footrest 45 Degrees onto wheels

CLEARANCE



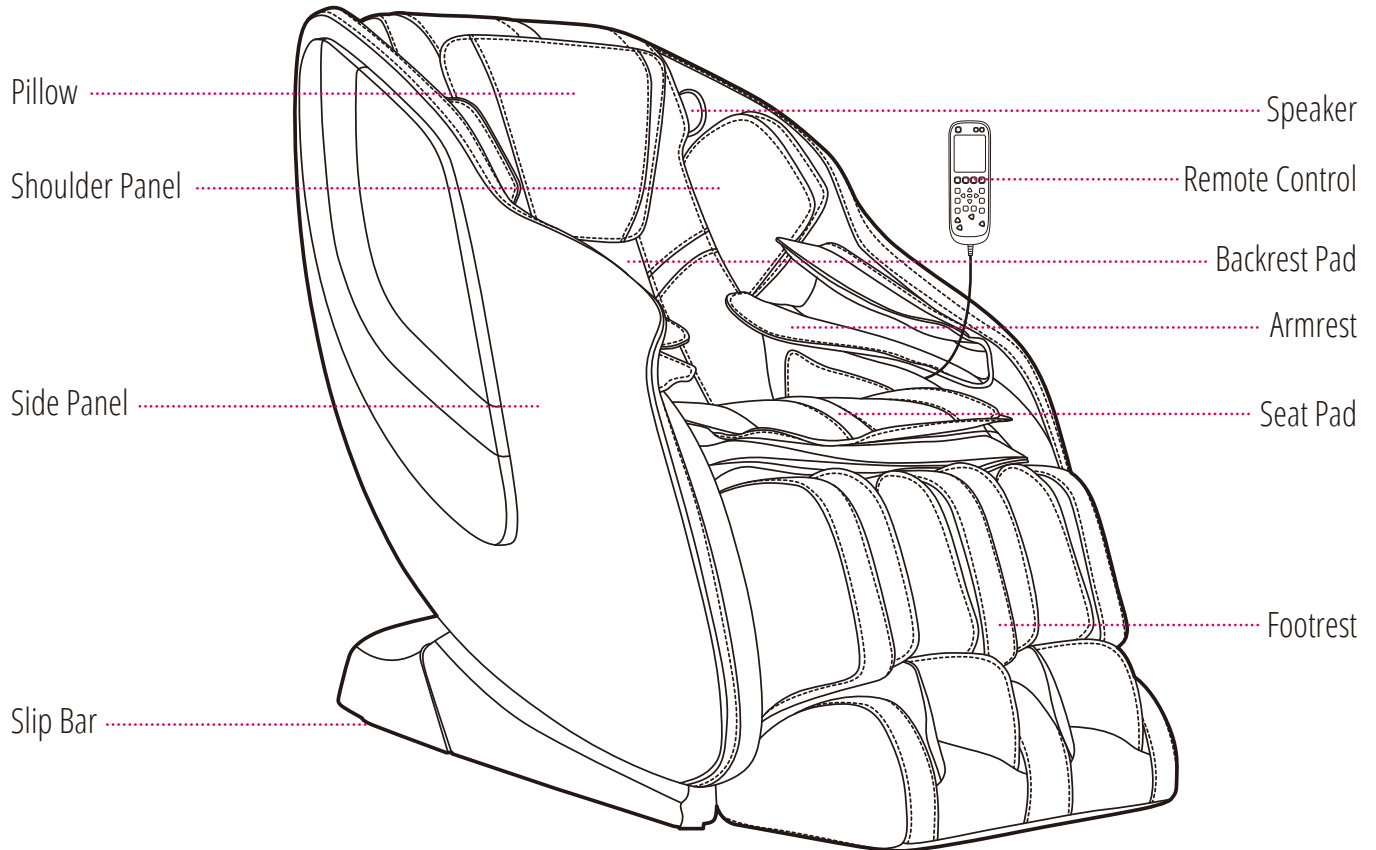
Reserve space on the left and right



Reserve space on the front and back

CHAIR COMPONENTS

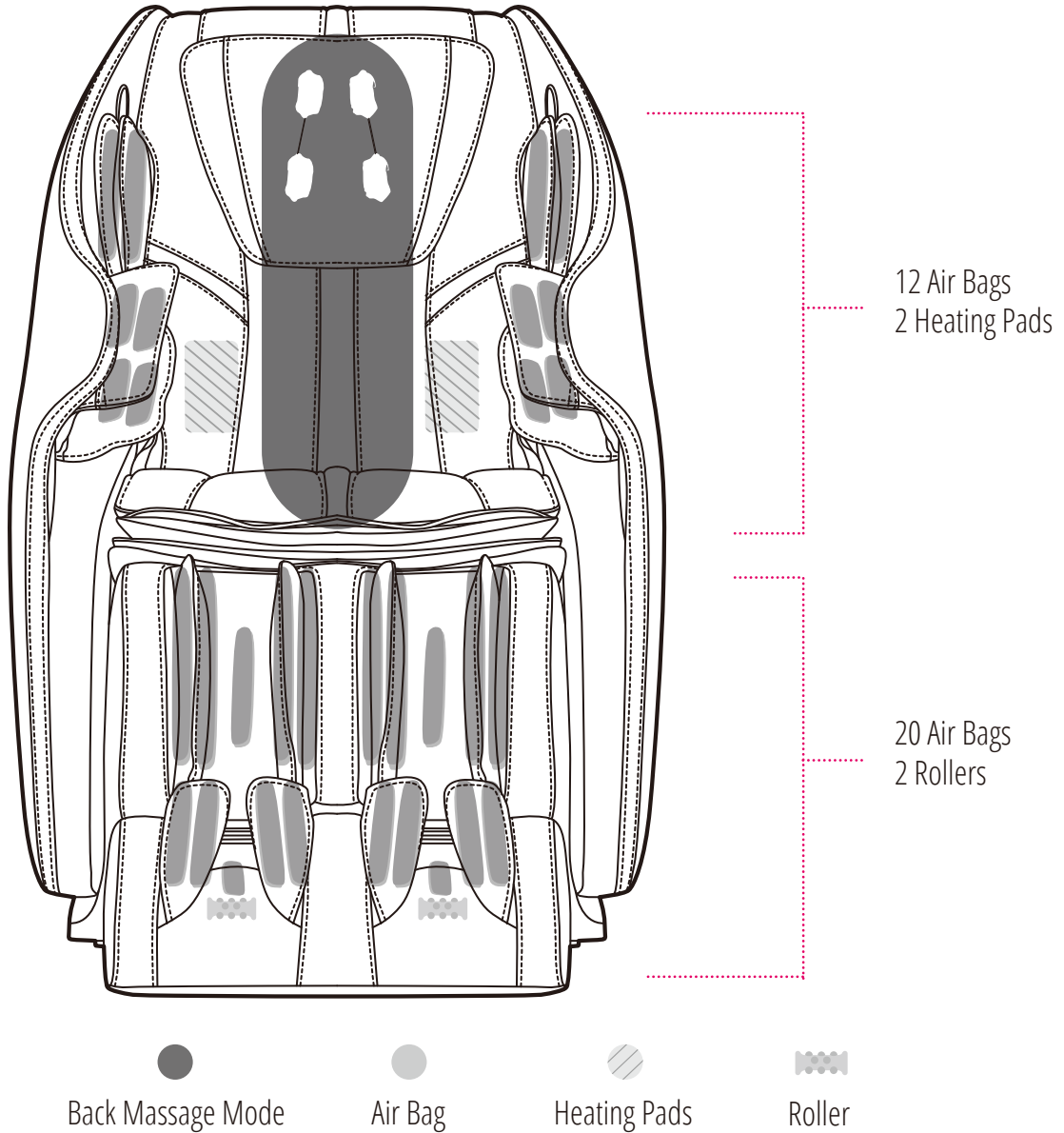
Some of your chair's most important features.



Note: The speaker will only operate when the massage chair is in operation

 To play music using your massage chair's speakers please connect your smartphone, tablet, or other electronic device to your chair, using bluetooth.

MASSAGE POINTS



CHAIR SPECIFICATIONS

A few important facts about your massage chair.



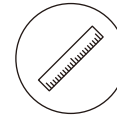
Model No.

OG5500



Max. Time Rate

15 minutes



Dimensions (L x W x H)

Chair dimensions: 59.1" x 29.5" x 44.1"
Reclined dimensions: 66.1" x 29.5" x 35.8"



Shipping Weight

Gross weight: 205 lbs
Net weight: 167 lbs



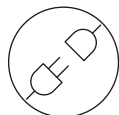
Usage Condition

Environment temperature: 10°C-40°C
Contrasting humidity: 30-85RH



Storage Condition

Storage temperature: -20°C-60°C
Storage humidity level: 30-85RH



Power Consumption

70W



Rated Voltage

110-120V~



Rated Frequency

60Hz



Length of Wiring

Controller wiring: 27.6"
Power supply wiring: 70.9"



Safety Feature

Equipped with overheating and power surge detectors safety feature

HOW TO USE

Connect the chair to a power supply, then turn the switch on the back of the chair to the "I" position. The chair is now in idle mode. During idle, the on/off button will blink.

During idle, only the on/off, pause, legrest recline/restore, and chair recline/restore buttons can be operated.



1. ON/OFF

The Start/Stop Control Button

Press this button to light up the LCD screen. Press any massage function button to start massage. This will initiate the timer function. Press this button again to stop all massage functions, massage chair will return to its original position.

2. TIMER

Time Interval Control Button

When a massage function is activated, the timer is preset at 15 minutes. Every single press on this button will change the timer interval in the sequence of "20>25>30>5>10>15>20" minutes.

3. PAUSE

Press this button once to halt current massage function and count down timer. During the pause mode, the pause button will be blinking. Press this button again to cease the "Pause" function and resume previous massage functions, as well as countdown timer.

4. GENTLE

A program designed to provide a quiet, gentle massage that is good for beginners or those that prefer a soft touch.

5. RELAX

A program designed to provide a mild massage that is great for deep relaxation, best used before going to sleep.

6. THERAPY

A program designed to bring massage therapy to your pain or discomfort body.

A program designed to ease your body pain and discomfort.

7. VIGOROUS

This massage will combine vigorous tapping on your back and an air massage focused on your arms and legs.

8. NECK&SHOULDER

This massage will focus on your shoulders and neck using a combination of kneading and shiatsu techniques.

Kneading Shiatsu

9. LOWER BACK

This massage will focus on your lower back using a combination of tapping and Clapping techniques.

Tapping

10. MANUAL MASSAGE FUNCTION

M

KNEADING, SWEDISH, TAPPING, SHIATSU, CLAPPING, ROLLING

Press this button to activate the rhythmic kneading manual massage function for a full back massage at medium strength. Every time this button is pressed, the manual massage function will change in the sequence of "KNEADING > SWEDISH > KNEADING-TAPPING > SHIATSU > CLAPPING > ROLLING > STOP".

11. FULL AIR



Press this button to activate the air massage function for full body (CALF&FOOT/ARM/SHOULDER). Press this button again to stop the function.

12/14. WIDTH ADJUSTMENT



The Left/Right Adjustment Button for the width of Tapping, Clapping, Shiatsu and Rolling function

When Tapping, Clapping, Shiatsu or Rolling function is engaged, press on this Left or Right button will change the massage width.

, press on the left or right buttons to change the massage width.

13/15. UPWARD/DOWNWARD ADJUSTMENT



When the spot and partial massage function are activated, this button can be used to move the massage rollers. Hold this button to move the massage rollers upward/downward respectively. Release the buttons when reaching desired position.

Note: When the auto program is engaged, it will scan the back length automatically which will set the highest position. The position can be adjusted by pressing these two buttons.

16. SPOT/PARTIAL



The Spot or Partial Back Massage

Press this button once to activate localized Spot Massage while the original massage mode continues to run at the latest position. Every single press on this button will change the massage function in the sequence of "SPOT < PARTIAL < STOP".

Note: Partial Massage will take the latest position as the center to perform Partial Massage with the distance approx. 8 cm. SPOT/PARTIAL button is only effective under MANUAL MASSAGE mode. SPOT function cannot achieved while ROLLING function is activated.

17. MESSAGE DIRECTION



When KNEADING, SWEDISH, TAPPING, SHIATSU or CLAPPING massage function is engaged, press this button to change the rhythmic mode between direction 1 and direction 2.

18. STRENGTH



The Strength Adjustment Button for Manual function

When manual function is engaged, every single press on this button will change the massage strength interval in the sequence of "Lv1 > Lv2 > Lv3 > Lv4 > Lv5".

19. INTENSITY



The Intensity Adjustment Button for air pressure massage, 5 levels of intensity to be adjusted

When air massage function is engaged, every single press on this button will change the air intensity in the sequence of "Lv1 > Lv2 > Lv3 > Lv4 > Lv5".

20. MANUAL AIR



Press this button to activate the body air pressure massage from shoulder to soles. Every time this button is pressed, the partial air massage function will change in the sequence of "CALF&FOOT > ARM > SHOULDER > STOP".

Note: Once press the Full Air button, it will switch from Manual Air function to Full Air function.

21. HEAT



Lumbar Heat function Start/Stop Control Button

Press this button to activate lumbar heat function, press this button again to stop the Heat function.

Note: During Auto Program mode, pressing this button can also disable/enable the Heat Function.

22. FOOT ROLLING



Foot Rolling Function Start/Stop Control Button

Press this button once to activate rhythmic rolling massage at soles, press this button again to stop rolling massage at soles.

Note: During Auto Program mode, pressing this button can also disable/enable the foot rolling function.

23/24. CHAIR RECLINE AND RESTORE



Keep pressing to comfortably lay flat or to restore the chair to its original position.

25. ZG



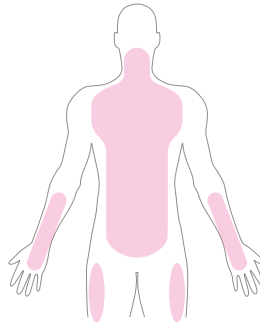
Press this button in order to active the ZG function.

PRE-PROGRAMMED DESCRIPTION

GENTLE

A program designed to provide a quiet, gentle massage that is good for beginners or those that prefer a soft touch.

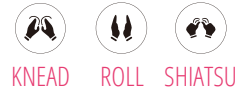
FOCUS AREA



INTENSITY



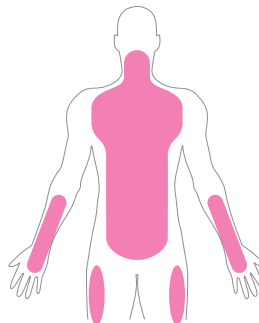
FOCUS TECHNIQUE



RELAX

A program designed to provide a mild massage that is great for deep relaxation, best used before going to sleep.

FOCUS AREA



INTENSITY



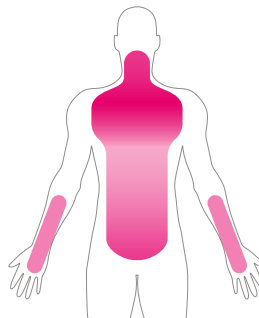
FOCUS TECHNIQUE



THERAPY

A program designed to bring massage therapy to your pain or discomfort body.

FOCUS AREA



INTENSITY



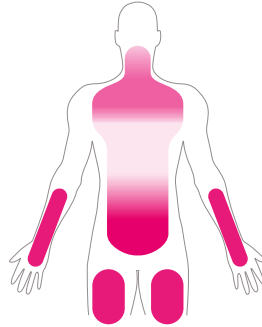
FOCUS TECHNIQUE



Vigorous

This massage will combine vigorous tapping on your lower back and an air massage focused on your thighs and legs.

FOCUS AREA



INTENSITY



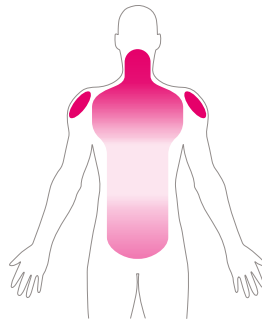
FOCUS TECHNIQUE



Neck & Shoulder

This massage will focus on your shoulders and neck using a combination of kneading and shiatsu techniques.

FOCUS AREA



INTENSITY



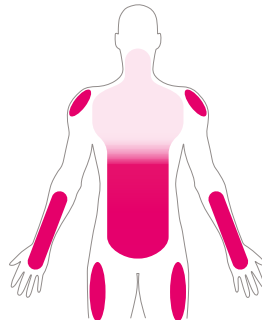
FOCUS TECHNIQUE



Lower Back

This massage will focus on your lower back with a deep massage that includes air compression.

FOCUS AREA



INTENSITY



FOCUS TECHNIQUE



SAFETY PRECAUTIONS

We're looking out for you.

IMPORTANT SAFETY INSTRUCTIONS

When using an electrical appliance, basic precautions should always be followed, including the following:
Read all instructions before using (this appliance).

DANGER - To reduce the risk of electric shock:

- Always unplug this appliance from the electrical outlet immediately after using and before cleaning.
- Never use pins or other metallic fasteners with this appliance.
- Carefully examine the covering before each use. Discard the appliance if the covering shows any sign of deterioration, such as checking, blistering, or cracking.

WARNING - To reduce the risks of burns, fire, electric shock or injury to persons:

- An appliance should never be left unattended when plugged in. Unplug from outlet when not in use, and before putting on or taking off parts.
- Close supervision is necessary when this appliance is used by, on, or near children, invalids, or disabled persons.
- Use this appliance only for its intended use as described in this manual. Do not use attachments not recommended by the manufacturer.
- Never operate this appliance if it has a damaged cord or plug, if it is not working properly, if it has been dropped or damaged, or dropped into water.
- Do not carry this appliance by supply cord or use cord as a handle.
- Keep the cord away from heated surfaces.
- Never operate the appliance with the air openings blocked. Keep the air openings free of lint, hair, and the like.
- Never drop or insert any object into any opening.
- Do not use outdoors.
- Do not operate where aerosol (spray) products are being used or where oxygen is being administered.
- To disconnect, turn all controls to the off position, then remove plug from outlet.
- Keep children away from extended foot support.
- Connect this appliance to a properly grounded outlet only. See grounding instructions.
- Use heated surfaces carefully. May cause serious burns. Do not use over insensitive skin areas or in the presence of poor circulation. The unattended use of heat by children or incapacitated persons may be dangerous.
- Do not operate under blanket or pillow. Excessive heating can occur and cause fire, electric shock, or injury to persons.

SAVE THESE INSTRUCTIONS

This massage chair is intended for household use only.

1. Usage Environment

- Do not use the massage chair in an excessively humid or dusty environment as this may result in malfunction or electric shock.
- Do not use the massage chair in a room with a temperature of 104°F or higher.
- Do not expose the massage chair to heaters, stoves or direct sunlight.
- Place and use the massage chair on an even, non-slip floor.
- The massage chair is designed for home use and not for commercial purposes.



Caution

- This massage chair is to be used indoors only.
- If you use the massage chair in a cold room, do not increase the room temperature abruptly. It is recommended that you increase the temperature gradually to a normal level.
- If the massage chair is stored in a cold place and is being brought into a warm environment, it is advisable to wait for one hour before use. This is because its performance may not be at an optimum level, as there may be water droplets on the mechanical parts due to consideration. Using the massage chair under such conditions may result in malfunction.

2. Safety Precautions

- To ensure safe and correct use of the massage chair, do not operate it without reading this operation manual carefully.
- Do not use the massage chair when the upholstery or seat is removed. This may cause injury or malfunction.
- Do not use the massage chair in combination with other therapeutic equipment or electric blanket etc., as this may result in ineffectiveness or injury.
- Do not use the massage chair an hour before or after eating as this may have adverse effects on the user.
- Do not allow children or pets to play around the massage chair, e.g. behind the backrest, under the seat base or legrest of the massage chair. This may result in injury.
- Do not use the massage chair when your body is wet.
- Do not operate the massage chair with wet hands.
- It is not recommended to use the massage chair for more than 30 minutes.
- Do not perform continuous massage on the same spot of your body for more than 5 minutes at a time as this may result in excessive stimulation and may have adverse effects.
- Do not insert your hand or foot along the paths of the massage rollers during use as this may cause injury.

- Stop operation immediately if you feel any discomfort.
- This product is not intended for self-treatment of conditions that should be managed by a qualified health care provider.
- People on medication or with medical conditions, please consult your doctor before use.
- Please do not use the product if you are not feeling well.

3. People with Medical Conditions

Consult your doctor before use if you:

- Are under medical rest as ordered by a doctor.
- Have spinal disorders, an abnormal spinal condition or have suffered a spinal injury.
- Have back problems.
- Have diabetes, osteoporosis or sensory impairment.
- Have joint dysfunction such as rheumatism, hammertoe or gout.
- Have a pacemaker or other electronic medical devices.
- May be pregnant.
- Have phlebitis or thrombosis.
- Have an increased risk for blood clots.
- Had recent surgery.
- Have surgical pins, screws, or anything mechanical in the legs, ankles or feet.



Caution

- This massage chair is not intended for use by children or persons with reduced physical, sensory or mental capabilities, or lack of experience and knowledge, unless they have been given supervision or instruction concerning use of the massage chair by a person responsible for their safety.
- Children should be supervised to ensure that they do not play with the massage chair.
- Avoid using the massage chair under the influence of alcohol.
- Do not apply massage rollers directly on the head, elbow or knee joints, torso or abdomen.
- If your legs or feet slip off the leg rest during massage, do not force them back in as this may result in injury.
- Remove the power plug from the electrical outlet immediately should liquid be accidentally spilled onto the massage chair. Do not use wet hands to connect or disconnect the power plug from the electrical outlet.
- Do not tamper with the power cord or use the massage chair with a damaged cord as this may result in malfunction and electric shock.

4. Instances When the Massage Chair Should Not Be Used

In the following events, please switch off the main power switch immediately and disconnect the power cord from the electrical outlet:

- If liquid is accidentally spilled onto the massage chair. This may result in electric shock or malfunction.
- If the fabric of the backrest is torn and the internal components are exposed.
- If pain or discomfort is felt during massage, stop operation immediately and consult your doctor.
- If you detect any malfunction or any other abnormal condition during operation.
- If there is power failure. Injury may occur when power is restored unexpectedly.
- If there is lightning.

5. Assembly and Repair of the Massage Chair

- Do not disassemble the backrest cover of the massage chair. Touching the internal components may result in malfunction or electrical shock.
- Do not attempt to disassemble or repair the massage chair by yourself, unless given instruction by a certified Ogawa customer service rep.

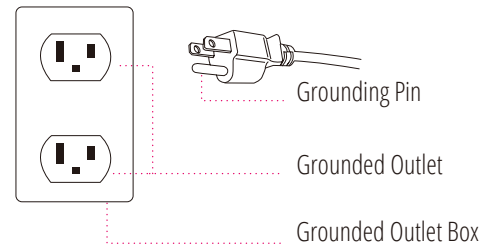
6. Things to Be Noted About the Power Plug and Cord

- Check that the Alternating Current (AC) voltage corresponds with the specifications indicated for the massage chair.
- Do not connect or disconnect the power plug from the electrical outlet with wet hands. This may result in malfunction or electric shock.
- When disconnecting the power plug, pull it by holding the plug, not the cord.
- Although operation will be stopped automatically by the Auto-Timer function, always remember to switch off the main power after use.
- Do not place the power cord under the massage chair or any other heavy objects.
- Do not wind the power cord around the massage chair as this may damage the cord and result in a fire or electric shock.
- Do not operate the massage with a damaged cord or extension cord.
- Do not use the massage chair if the electrical outlet is loose.
- If the power cord is damaged, it should be replaced by a qualified technician.

GROUNDING INSTRUCTIONS

This product must be grounded. If it should malfunction or break down, grounding provides a path of least resistance for the electric current to reduce the risk of electric shock. This product is equipped with a cord with an equipment-grounding conductor and a grounding plug. The plug must be plugged into an appropriate outlet that is properly installed and grounded in accordance with all local codes and ordinances.

Danger - Improper connection of the equipment-grounding conductor can result in a risk of electric shock. Check with a qualified electrician or serviceman if you are in doubt as to whether the product is properly grounded. Do not modify the plug provided with the product – if it will not fit the outlet, have a proper outlet installed by a qualified electrician.



TROUBLESHOOTING

This massage chair is controlled by a microcomputer and is thus susceptible to power surges of +10 to -15%. The following situations may arise in the event of a power surge:

Situation	Solution
The massage chair is connected to the power supply but is not functioning	1. Check to see that the plug is properly connected and working 2. Ensure the massage chair switch is in the 'I' position
The remote control works but the massage chair is not functioning	Possible overheating due to prolonged use. Turn off the power for at least 30 to 50 minutes
Both the remote control and the massage chair are not functioning	1. Ensure the chair is plugged into a working outlet 2. Turn the power OFF and ON again

If you continue to have problems, please read the warranty card and contact the Ogawa service department.

PRODUCT CARE AND STORAGE

1. Storing the Massage Chair

- Wipe off dust and dirt from the massage chair with a dry, soft, clean cloth.
- Keep the massage chair clean and away from places of high humidity.
- If the massage chair is not to be used for a long period of time, cover the massage chair with a dust cover and unplug its power plug from the electrical outlet.

Caution

- Do not store the massage chair in direct sunlight or in places of high temperature. This may cause the color of the upholstery to fade.
- Do not allow the massage chair to remain in contact with vinyl or wallpaper for extended periods of time as this could lead to discoloration.

2. Cleaning the Massage Chair

- Before cleaning, ensure that the main power switch is off and the power plug is disconnected from the electrical outlet.
- Wipe off dust and dirt from the massage with a dry, soft, clean cloth after each use.
- This product can be cleaned thoroughly with a slightly damp cloth.
- Do not iron the upholstery.
- Do not wash the upholstery using a home washing machine as this may result in deterioration of the upholstery's quality.

Caution

- Do not use abrasive cleaning agents like benzene or thinner to clean the massage chair. This may cause the upholstery to fade.

3. Cleaning the Controller

- Use only a clean, dry cloth to clean the controller.

Caution

- Do not use a wet cloth to clean the controller. This may result in malfunction.

OGAWA CONSUMER WARRANTY

Ogawa products have the following warranty:

This Ogawa massage chair provides a one year in-home service warranty and a two-year parts warranty. Ogawa customer service will not issue Return Material Authorizations (RMAs) for products. Ogawa products will be either repaired by the consumer or by an in-home technician. Ogawa will not issue Return Material Authorizations (RMAs) for buyer's remorse.

Service And Technical Support

Consumers may contact Ogawa's customer service department at 844-438-6429 between 9:00 am and 5:00 pm PST, Monday through Friday or email us at support@ogawaworldusa.com or visit our web at www.Ogawaworldusa.com for warranty or service issues.

Consumers are required to provide the unit serial number and dated proof of purchase (sales receipt) when they contact the Ogawa service department regarding a repair.

A Ogawa customer service representative will attend to most consumer inquiries, but in some cases a technical service specialist will provide advanced support.

Non-warranty repair is provided on a "per incident" basis. Ogawa customer service will verify that the unit has failed and provide instructions for repairing a unit. All applicable repairs, parts, shipping, handling, local tax and a "per incident" fee will be charged for non-warranty repairs and support calls.

Proof of purchase (original receipt) is required for all warranty repairs or service.

Extended Warranties:

Ogawa offers extended warranty programs to enhance ownership of Ogawa product. Extended warranty provides: 3-year limited repair or replacement massage chair warranty with on-site service. Please visit www.ogawaworldusa.com for the latest terms and pricing for extended warranties.

Product Repairs

Many Ogawa product repairs may be performed by the consumer in their own home with parts and instructions supplied by Ogawa such as remote controller replacements that don't require a technician. Canadian consumers may contact Ogawa's customer service department at 844-438-6429 between 9:00 am and 5:00 pm PST, Monday through Friday for warranty or service issues.

- Floor Models and Demonstration Units have a prorated warranty period that begins the day the model is placed on the floor and connected to an electrical outlet by the retail partner. Proof of purchase is required in order to obtain warranty service and parts. Non-warranty parts and service are available at a "per incident" charge.
- Warranty Coverage Period - Warranty coverage starts at the time that the consumer PURCHASES their chair. Proof of purchase is required for all warranty repairs. The warranty time period is measured by continuous calendar days based on a seven-day week.
- Field Service – Ogawa customer service department will diagnose and schedule an authorized service provider to repair the chair in the consumer's residence.
- Parts - All parts deemed necessary for repairs will be shipped to the consumer at no charge by the Ogawa service department.

CONSUMER WARRANTY LIMITATIONS AND EXCLUSIONS

- Warranties are only valid in the 48 contiguous United States and Canada and are contingent upon the consumer operating the chair according to the corresponding instruction manual.
 - The warranty only applies to Ogawa products and does not include any accessories or enhancements.
 - Field service requires pre-approval and must be performed by Ogawa's authorized field service personnel. Field service is only available in the United States and in major metropolitan areas in Canada.
 - Softening of foams and filling composites in pillows, pads, and memory foam occurs naturally and does not constitute a defect under this warranty.
 - Fading, wear and piling of fabrics occurs naturally and does not constitute a defect under this warranty.
 - Natural markings, grain and dye variations in leather do not constitute a defect under this warranty.
 - Warranties do not cover any loss or damage resulting from improper installation, unauthorized repairs or modifications, improper use of electrical/power supply, loss of power, dropped product, a malfunction or damage of an operating part from failure to provide manufacturer's recommended maintenance, transportation damage, theft, abuse, misuse, neglect, vandalism or environmental conditions (fire, floods, rust, corrosion, sand, dirt, windstorm, hail, earthquake or exposure to weather conditions), loss of use during the period the product is at a repair facility, or otherwise awaiting parts or repair.
 - Under no circumstance shall Ogawa or its representatives be liable for indirect, consequential, or incidental damages (including damages for lost profits, business interruption, bodily injury, medical and the like).
 - Warranties are non-transferable and shall be in lieu of any other warranty, express or implied, including but not limited to any implied warranty.
 - Ogawa's sole liability and the purchaser's exclusive remedy shall be for the repair, or at Ogawa's option, for the replacement of the defective part.
 - Notwithstanding the above, if replacements parts for defective materials are not available, Ogawa reserves the right to make substitutions in lieu of repair or replacement.
-
- All warranties begin on the DATE OF PURCHASE; no allowance or extension is offered for delivery and/or installation.
 - Warranties do not apply to rental, business, commercial, institutional or other non-residential users.



OGAWA

861 S. Oak Park Road,
Covina, CA 91724

TEL: 844-438-6429
support@ogawaworldusa.com

www.ogawaworldusa.com