

*Osaki*



*Osaki*

**USER & Maintenance Manual**

Lusso XT-2 Leather Zero Gravity Recliner



**Lusso XT-2 Leather**

Thank you for purchasing the Lusso XT-2 Leather Zero Gravity Recliner. Before using your chair, please take some time to read the contents of this instruction manual and for greater user experience. Please continue to use this manual as a reference guide.

## Lusso XT-2 Leather

Zero Gravity Recliner

### TABLE OF CONTENTS

Safety Instructions .....	01-02
Chair Components .....	03
Chair Specifications .....	04
Chair Dimensions .....	05
Placing The Chair .....	06
Preparations Prior to Use .....	08
Operation Guides .....	09-11
Maintenance Procedure .....	12
Troubleshooting .....	13

## SAFETY INSTRUCTIONS

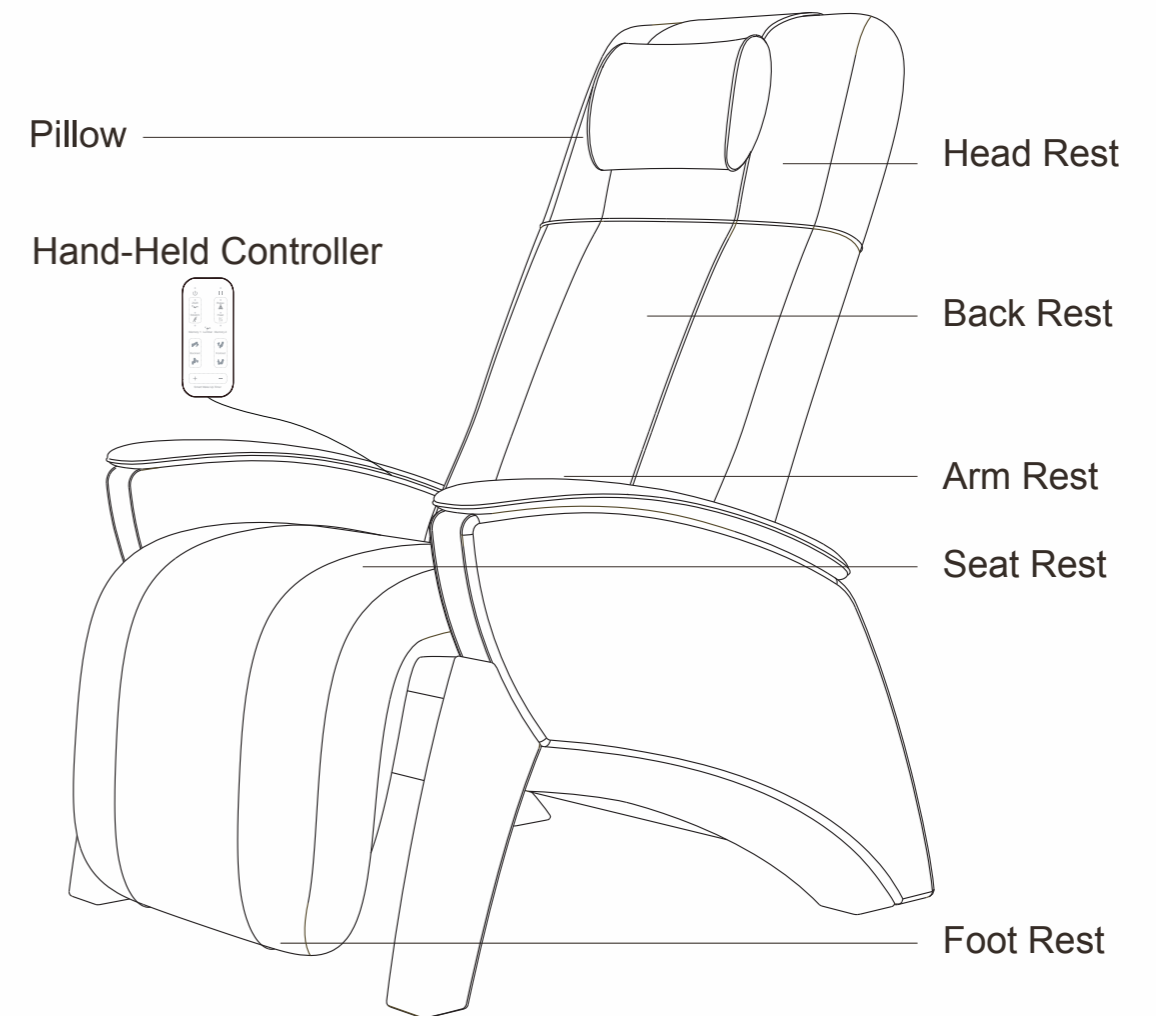
Please ensure that you read these safety instructions before using your Lusso XT-2 Leather Zero Gravity Recliner.

- This chair is intended for use only as described in this manual;
- While assembling the chair components, please ensure that the chair is not connected to any power source;
- Once fully assembled and before using the chair, please ensure that the power plug of the chair is securely inserted into a correct electrical socket;
- Unplug the chair from the electrical source when not in use or cleaning;
- If the power is cut for any reason, please ensure that the power switch of the chair is in the off position and unplug the chair's power lead from the electrical socket, in order to prevent the risk of short circuit or damage to the chair when the power is restored;
- If you notice any tear to the fabric of the chair and /or any of the chair's internal mechanisms are visible, do not use until you have contacted the Servicing Department;
- If the electrical cord of the massage chair is damaged or frayed, it must be replaced by either the manufacturer, the service agent or a qualified electrician;
- Please keep the chair's power cord away from external heat sources;
- Do not wind the power core around the chair itself, as this may cause damage or malfunction;
- Do not use the Lusso XT-2 Leather outdoors or place the chair where it may be exposed to direct sunshine for prolonged periods or place near a heater or where temperatures may reach high levels or where there is high humidity and water vapor such as bathroom;
- Do not attempt to insert any foreign objects into any part of the chair's structure;
- Any tampering with the internal components of this chair may result in electric shock or malfunction;
- Should any liquids be spilled on the chair while in operation, please terminate functioning immediately to prevent the risk of short circuiting and resume using the chair only when it is in a clean and dry condition;
- To prevent the risk of injury, do not use the Lusso XT-2 Leather when you are wet and never attempt to plug or unplug the power source with wet hands;
- Close and continuous supervision is necessary should children or disable persons use this chair and the heat function should not be used to alleviate the chance of possible discomfort;
- Do not operate with any of the chair's openings blocked;
- No more than one person at a time should use this chair;
- To prevent the risk of injury or damage to the chair do not attempt to sit or stand on the back rest or leg rest;
- Do not allow children or pets to play on or around the chair;
- Please consult your doctor prior to operation, if you have any doubts about using this chair if you

## CHAIR COMPONENTS

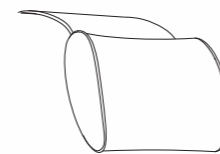
are pregnant, undergoing medical treatment, using a medical electronic device or are receiving oxygen;

- If you experience pain while using this chair, stop the use immediately and consult your doctor;
- Do not use other therapeutic equipment at the same time as you are using this chair;
- This product is not intended for self-treatment of any condition that should be managed by a qualified health care provider.

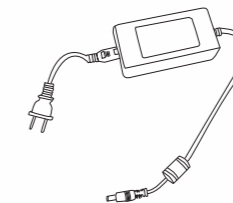


## Check the accessories at first

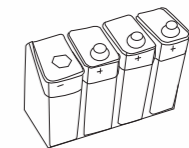
Pillow



Power Adaptor



Battery

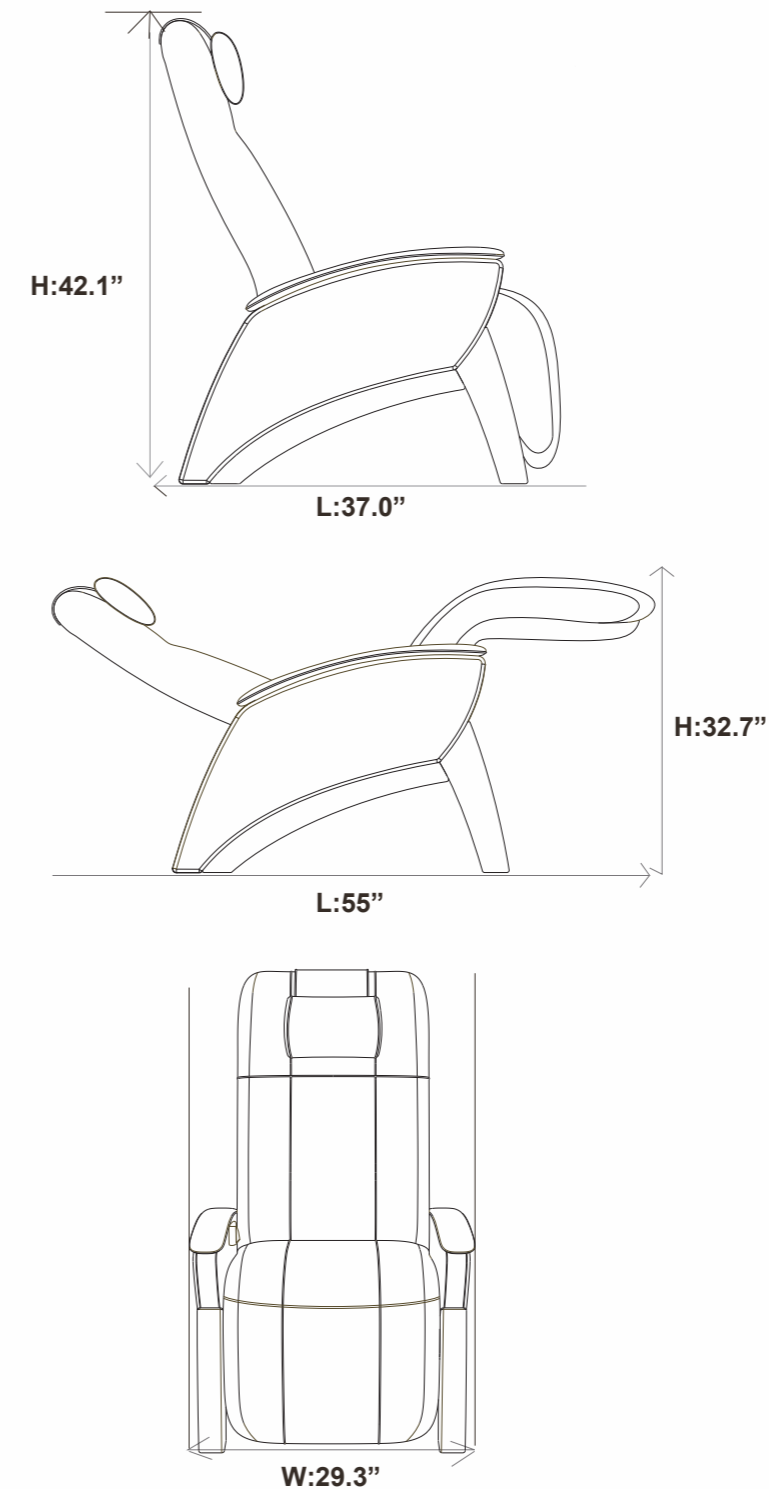


## CHAIR SPECIFICATIONS

Specifications		Description
Model No.		Lusso XT-2 Leather Zero Gravity Recliner
Rated Voltage		Input 110-120V
Rated Frequency		60Hz
Out-put		29V $\overline{\text{---}}$ 1.8A
Rated Power Consumption		52.2W
Auto Timer		15 minutes
Dimensions (L x W x H)		Packing carton: 45.3" x 33.5" x 25.6"
Weight	Net Weight	110.4 lbs
	Gross Weight	134.9 lbs
Maximum Load Weight		400 lbs
Required Recline Clearance		28"
Usage Condition		Environmental temperature 50°F-104°F Contrasting humidity level 30-85RH
Storage Condition		Storage temperature 68°F-140°F Storage humidity level 30-85RH
Safety Feature		Equipped with overheating and power surge detectors

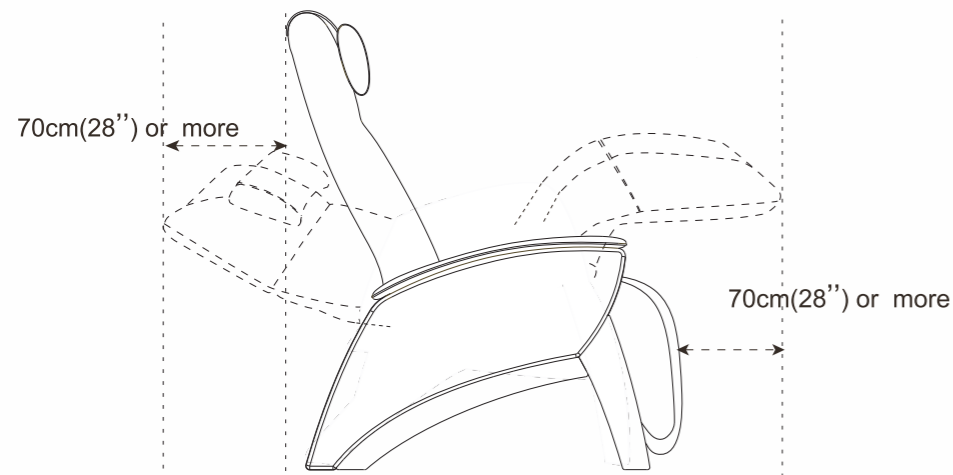
\* Specifications are subject to change without prior notice.

## CHAIR DIMENSIONS



## PLACING THE CHAIR

- After unpacking, place the chair on a level surface.
- Allow a clearance from walls or other objects of at least 70 cms (28 inches) or more at the front and the back of the chair to allow the chair to recline and the footrest to be extended.



### Notes

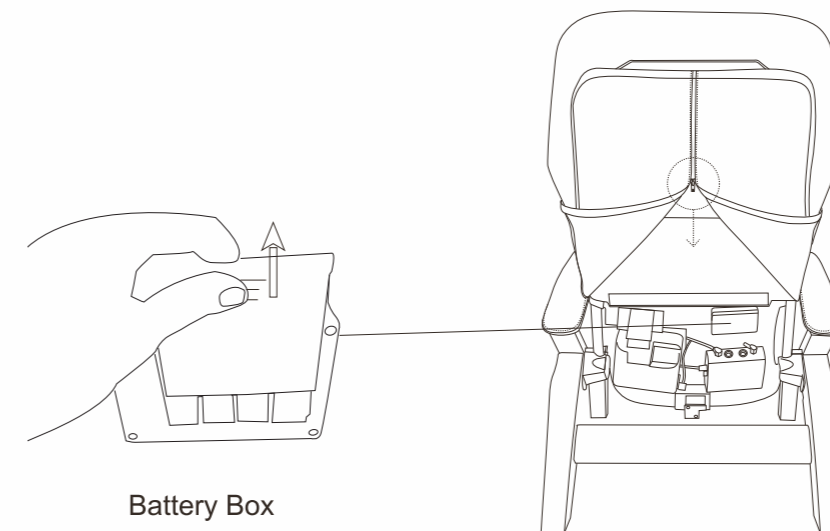
- Place the chair on a level surface.
- Keep the chair at least 1 meter (3ft) away from AV machines like a TV or radio.
- Do not keep the chair in a place with high humidity, like the bathroom.
- Do not keep the chair in a place where it will be exposed to direct sunlight for an extended period, or in a place near a heater where the temperature may reach high levels.

## HOW TO INSTALL THE BATTERY

Your Lusso XT-2 Leather recliner may be equipped with a battery backup system that will activate during a power failure. The backup system is powered by four 9V batteries (not included) that need to be installed into the battery box located in the rear back of the chair as picture demonstrated below.

### FOLLOW THESE STEPS TO INSTALL THE BATTERIES:

1. Unplug the power plug from the electrical outlet.
2. Open the marked battery door.
3. Install four 9V batteries into the battery box.
4. Replace the door of the battery box.



### Notes:

- Always make sure the battery box is equipped with four fresh 9V batteries, since the battery backup system does not recharge itself. Fresh batteries are defined as 9V alkaline batteries that are replaced every time the battery backup system is activated during a power failure, or once a year if the battery backup system has not been activated.
- If you unplug your Lusso XT-2 Leather recliner for an extended period of time (more than one hour), remove the batteries from the battery box. The Lusso XT-2 Leather recliner will draw power from the batteries even when it is not in use.

## PREPARATION PRIOR TO USE

### 1. Check the material on the chair.

Prior to use, be sure to check that the cover cloth or the cloth of other parts is not torn. If a tear is found, stop using the chair immediately, unplug the power source, and contact service. If the chair is used with torn cloth, it may result in injury or electric shock.

### 2. Check the power cord.

Check that there is neither breakage or damage to the power adaptor. Check that the cords are not caught or placed beneath the chair.

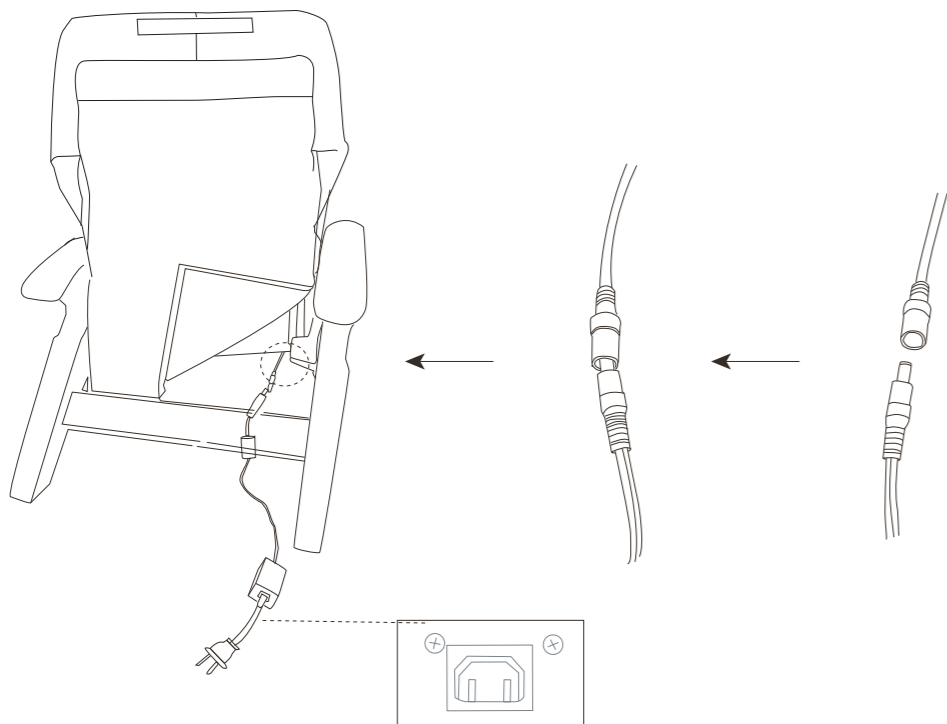
### 3. How to connect the power source.

- 1) Ensure the battery box is placed with four fresh 9V batteries.
- 2) Connect the power adaptor to the chair.
- 3) Insert the power plug into an outlet.

### 4. Important information for attaching the remote control.

To avoid any chance of damage to the remote control cord, let the cord of the remote run outside of the chair.

DO NOT run the cord between the arm rest and back rest.



## OPERATION GUIDE

### Hand-Held Controller



### 1. On/Off button

When pressing the On/Off button, a light will tell you that the chair is in the idle functioning mode and will commence a massage program when you press any other function button. If during a massage function program, should you wish to cancel, please press the On/Off button and the program will cease.

### 2. ZGR

On pressing the ZGR button, the back rest, foot rest, and seat will be automatically adjusted to preset reclining angles.

The reclining motion can be stopped by pressing either the ZGR button, the back rest recline/restore button, or the foot rest raise/restore button.

After achieving the ZGR position, you may still adjust the angles of the back rest and foot rest by pressing the relevant buttons.

### 3. Stretch

Press the stretch button to activate a slightly harder massage that gives special attention to your spine by slowly stretching it at different points and releasing stress.

**Note:** With the air massage in action, should you wish to change the angle of the back or foot rest, the program will pause and resume automatically once the back or foot rest movement is completed.

### 4. Memory 1 & Memory 2

Press and hold the Memory 1 or Memory 2 for 2 seconds to create a new memory position.

### 5. Back Rest - Recline/Raise

Press and hold this button until the back rest is at your desired angle. The angle of the seat will move automatically to match with the angle of the backrest. Movement can be stopped once you loosen the button.

When activating the back rest, the chair will not simultaneously respond to the foot rest restore/raise action, heat, and air massage functions.

### 6. Wake up timer

The preset massage time is 15minutes, press  to increase/decrease time, press once to increase/decrease 1 hour. The maximum massage time is 3 hours.

### 7. Pause

Press to pause or continue.

### 8. Relax

Press this button to activate an air massage program. It is a wonderful all round air massage for gentle relaxation and loosening of muscles.

### 9. Heat

Press this button to commence the heating function for the lumbar region. A light will indicate that the heating function is in operation. Press the button again to cease the function. With the heating function in operation, should you wish to change the angle of the back rest or foot rest, the heating function will pause and resume automatically once the back rest or foot rest movement is completed.

### 10. Lumbar

Press the lumbar button to start a 15 seconds motion, press again to hold the desired support strength, press a third time to cancel the support gradually.

Lumbar support will stop working if you press the air massage button, and vice versa.

Lumbar support will hold even when the chair turns off, press again or power off to end it. It takes 25 seconds for air discharge.

### 11. Foot Rest - Restore/Raise

Press and hold this button until the foot rest is at your desired angle. Movement can be stopped once you loosen the button.

When activating the foot rest, the chair will not simultaneously respond to the back rest restore/raise action, heat, and air massage functions.

### Automatic Timer

The chair is programmed to operate for a period of 15 minutes, after which all functions will stop and the chair will adopt an idle mode in its current position. Note that the heating function is preset to stay on for one hour. To resume use of the chair after this period, simply press your desired function button.

## MAINTENANCE PROCEDURE

### WARNING

Be sure to disconnect the power plug from the outlet prior to maintenance.

### NOTE

Do not use benzene, alcohol, alkaline detergent or bleaching agent for cleaning, as this may result in deformation, discoloration or cracking.

### HEAD REST, BACK PAD, SEAT COVER, ARM REST, FOOT REST, PILLOW(LEATHER)

Perform daily maintenance by wiping with a soft dry cloth. When parts are badly soiled, adopt the following maintenance procedure.

1. Soak a soft cloth in diluted neutral kitchen detergent and squeeze it well. Wipe the main unit with the damp cloth in a tapping motion.
2. Soak a cloth in clean water, and squeeze it well. Wipe of the remaining detergent with the damp cloth.
3. Wipe it with a dry cloth afterwards.
  - Do not force-dry with a drier.
  - Do not force contact with vinyl products for an extended period. It may cause discoloration.

### NOTES

- Leather is a natural material, so imperfect grain, dye variation and natural markings do not constitute as a defect.
- Polyurethane foam padding tends to soften and light creases may form on the leather cover over a period of three months. These are natural occurrences and do not require any type of maintenance.
- A professional cleaner should be contacted for particular types of stains such as ink marks.

## TROUBLESHOOTING

### WARNING

If the trouble still persists after following the proper countermeasures, stop using the chair to avoid possible accidents. Disconnect the power plug from the outlet and consult customer service department. Do not attempt to repair the chair, instead contact a certified technician.

Type of Troubles	Check points	Countermeasures
<b>Operation failure</b>	Check that the power plug is securely plugged into the outlet	Push the power plug into the outlet securely
	Check that the power adaptor is well connected to the chair	Well connect the DC terminals between the chair and power adaptor
<b>The chair stops in the middle of operation</b>	This phenomenon is caused by the timer but not a problem	
<b>Impossible to recline Impossible to raise or lower the foot rest</b>	Check that there is no obstruction	Remove the obstruction

If you continue to have problems, please read the warranty card and contact the service department.